

Collage Zine Workshop

You will need:

- A4 or A3 Paper
- Drawing Materials
- Scissors
- Glue
- Imagery to use for collage -magazines, images, photographs, newspapers

Objectives:

Using magazines, images, photographs, newspapers and your imagination to create a Collage Zine.

Things to consider:

- What theme / subject / mood board your collage zine could express?
- For example: Pink, Books, Hairstyles, Sports, Creative Art, Dancing....
- The key is to create a collage that expresses something you have a passion for.



What is a Zine?

A Zine is an independent or self-published booklet, often created by physically cutting and gluing text and images together onto a “master” flat sheet for photocopying.

It is also common to produce the master by typing and formatting pages digitally.

Fun Facts about Zines:

- Zine comes from the term fanzine, which generally describes a small-circulation science fiction publication.
- Fanzines first appeared in the late 1920s.
- Zines were used to promote punk music in the 1970s.

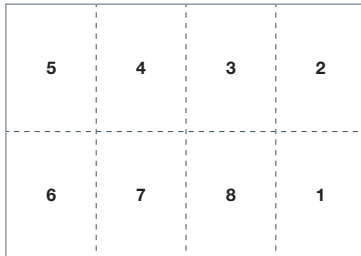
What is a Moodboard?

A mood board is a type of collage consisting of images, text, and samples of objects in a composition. It can be based upon a set topic or can be any material chosen at random.

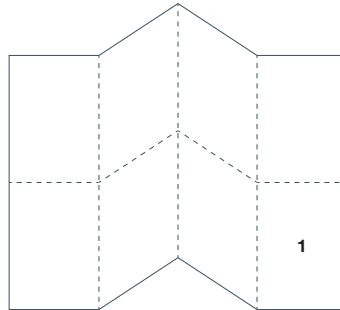


How to create a Zine Template

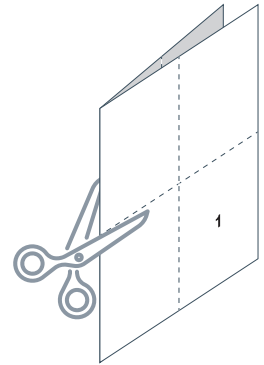
1. Fold a standard A4 sheet of paper into 8 parts.



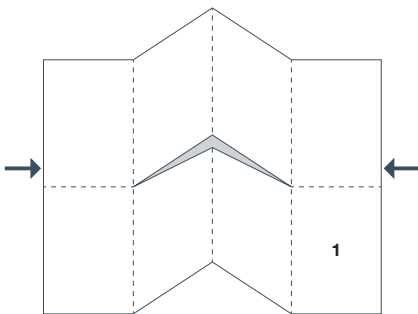
2. Now crease those folds so the paper naturally rests like this.



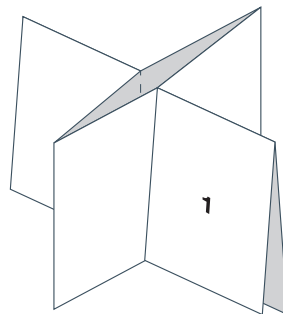
3. Fold the paper in half and cut it half way so it looks like step 4.



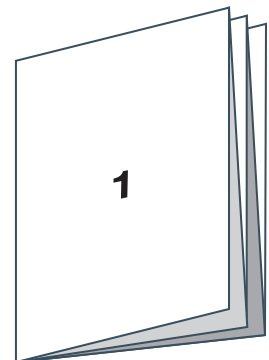
4. Place the paper down and put your index fingers where the arrows are. Lift up while folding the sheet lengthwise over your index fingers.



5. During the folding in step 4, the middle of the sheet should buckle so it naturally forms this shape.



6. Now you have your 8 page Zine!



You are now ready to begin making your zine

You can open your template out and begin to add imagery. This can be from newspapers or magazines, can be printed out images or can be drawings.

It might be helpful to consider the following points:

- Focus on a specific theme
- Are you going to have a title page? If so this should go on section 1!
- Who is your Zine for? Maybe you could even post a copy to a friend and see what they think!

